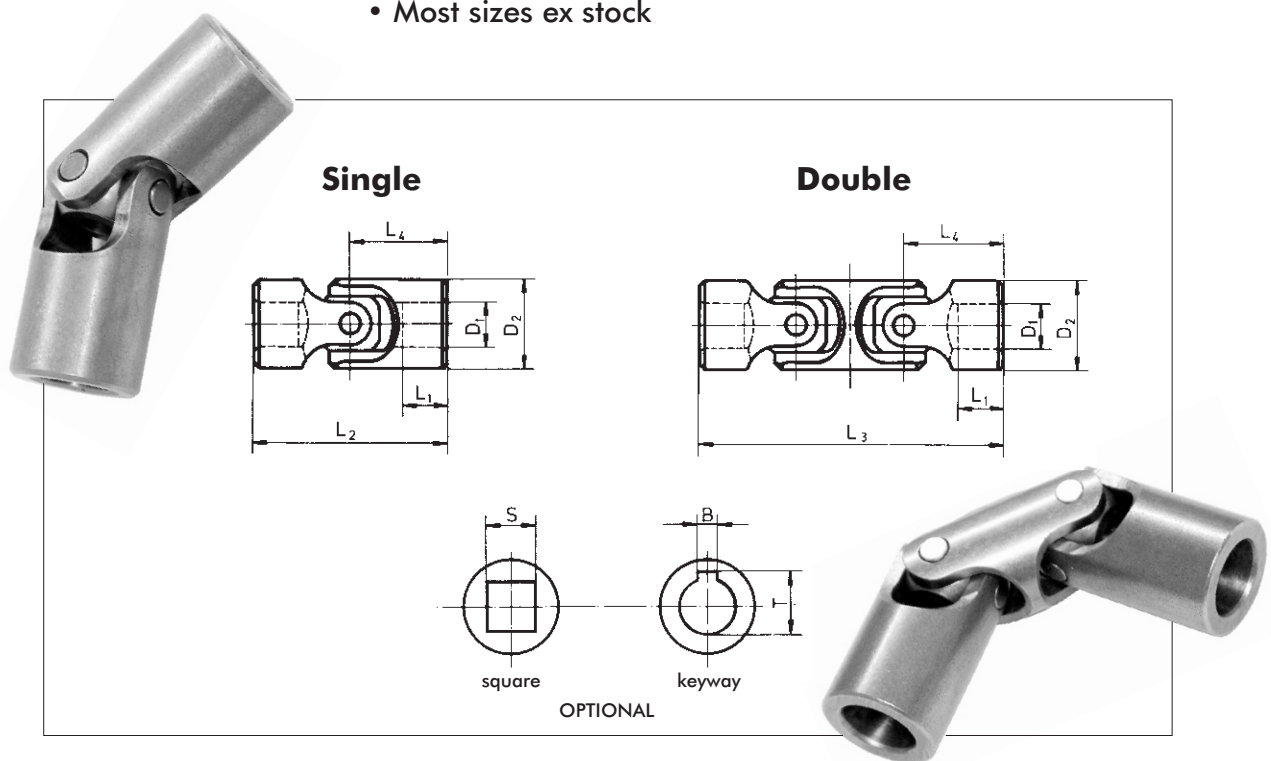


Standard Precision Universal Joints - DIN 808 - Series "G"

- Made of high grade steel
- All friction areas are hardened & friction polished
- Assembled almost backlash free
- Round bore standard
- Max. speed 1000rpm
- Keyway & square hole optional
- Max. angle Single: 45°
 Double: 90°
- Most sizes ex stock

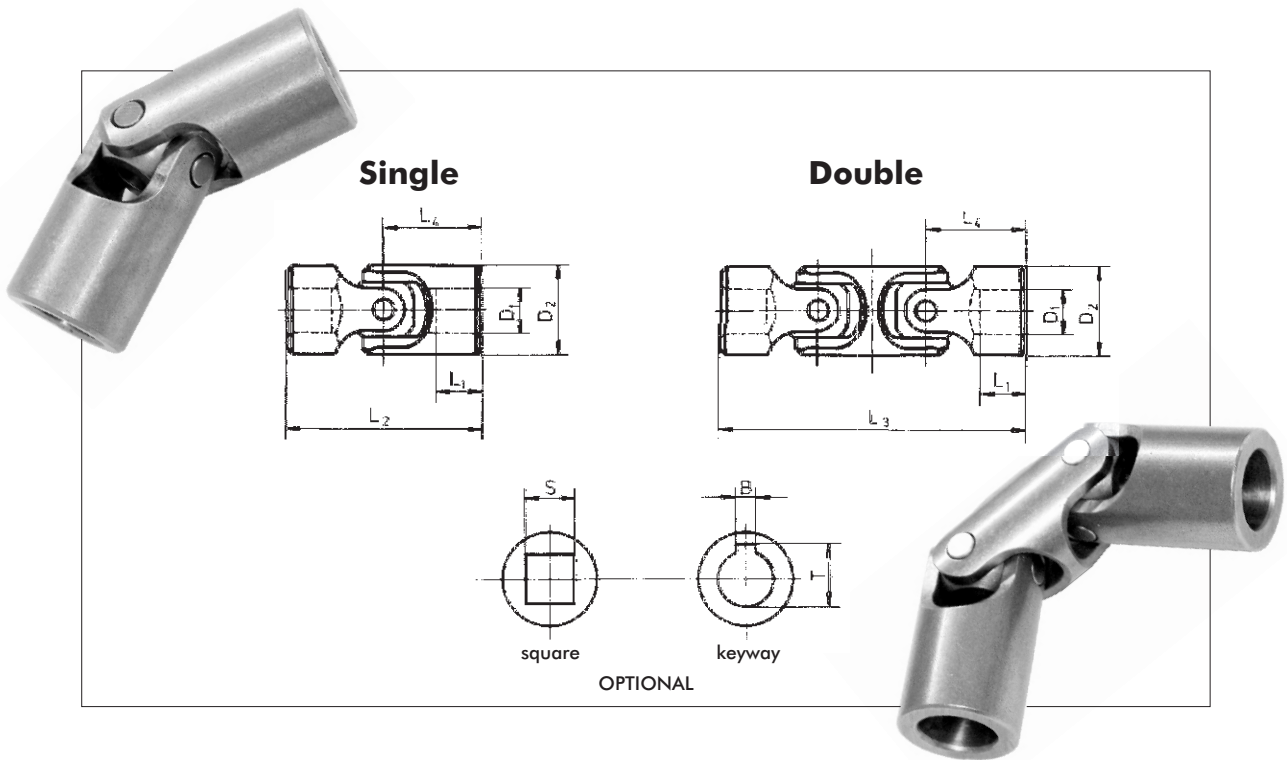


Part Number		Bore D ₁	O/D D ₂	Length				Keyway		Square S	Weight kg.	
Single	Double			L ₁	L ₂	L ₃	L ₄	B	T		Single	Double
100	-	6	10	14	40	-	20	-	-	-	.014	-
101	121	8	13	13	42	60	21	2	9.0	6	.024	.035
102	122	10	16	17	52	74	26	3	11.4	8	.047	.068
103	123	12	20	20	62	88	31	4	13.8	10	.089	.130
104	124	16	25	23	74	104	37	5	18.3	14	.160	.237
105	125	20	32	25	86	124	43	6	22.8	19	.310	.463
106	126	25	40	32	108	156	54	8	28.3	24	.625	.920
107	127	32	50	41	132	188	66	10	35.5	30	1.200	1.800
108	128	40	63	47	166	236	83	12	43.3	36	2.400	3.500

The Technical Appendix (pages 47-51) describe how to calculate the dimensions of the joint and contain instructions for their application.

Low Cost Universal Joints With Friction Bearings - DIN 808 - Series "G"

- Low cost economy range
- Unhardened, unpolished
- Greater backlash
- Suitable for medium-low speed
with limited torsional requirements
- Max. speed 1000rpm
- Round bore standard
- Optional square hole & keyways
- Max. angle Single: 45°
 Double: 90°
- Most sizes ex stock



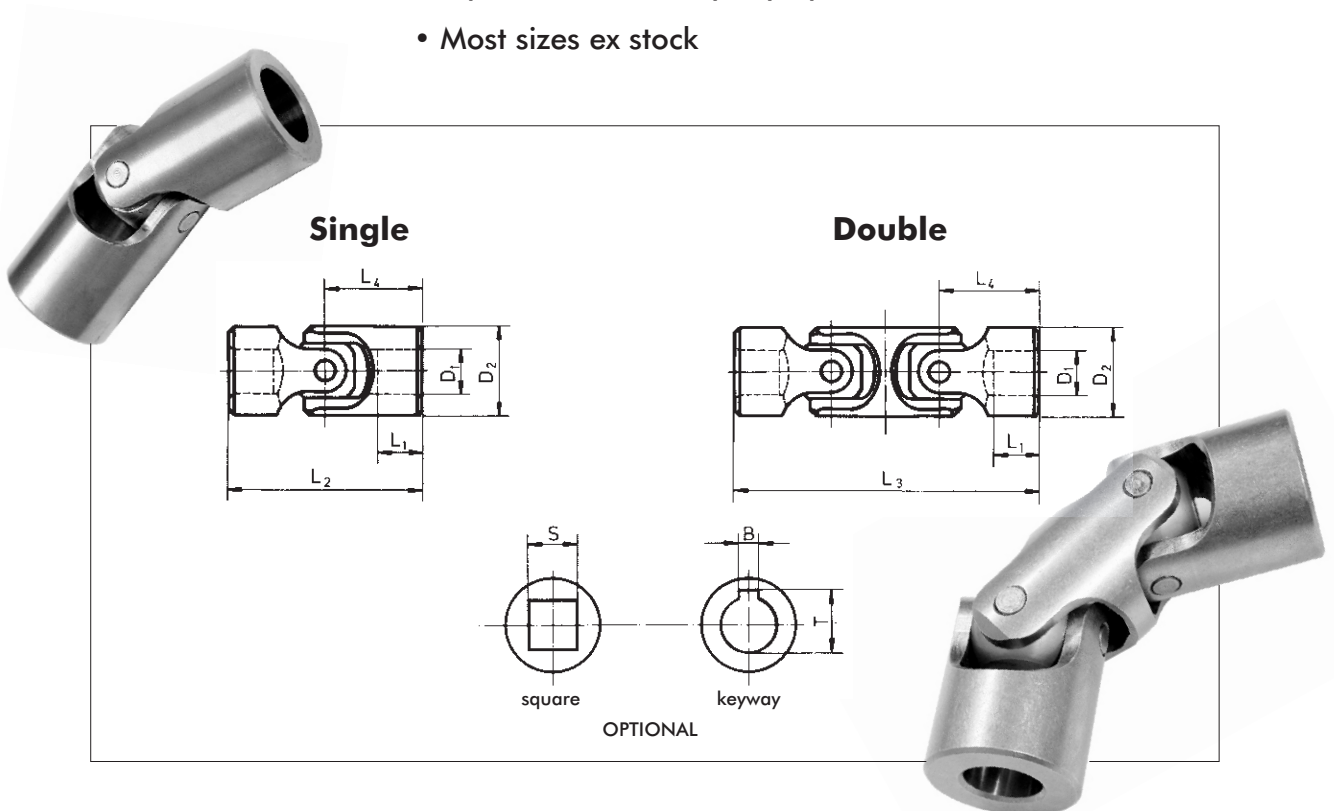
Part Number		Bore D ₁	O/D D ₂	Length				Keyway		Square S	Weight kg.	
Single	Double			L ₁	L ₂	L ₃	L ₄	B	T		Single	Double
101L	121L	8	13	13	42	60	21	2	9.0	-	.024	.035
102L	122L	10	16	17	52	74	26	3	11.4	8	.047	.068
103L	123L	12	20	20	62	88	31	4	13.8	10	.089	.130
104L	124L	16	25	23	74	104	37	5	18.3	14	.160	.237
105L	125L	20	32	25	86	124	43	6	22.8	19	.310	.463

The Technical Appendix (pages 47-51) describe how to calculate the dimensions of the joint and contain instructions for their application.

Standard Precision Reinforced Universal Joints - DIN 808

- Series "G"

- Made of high grade steel
- All friction areas are hardened and friction polished
- Assembled almost backlash free
- Max. speed 1000rpm
- Max. angle Single: 45°
 Double: 90°
- Round bore standard
- Square hole and keyway optional
- Most sizes ex stock

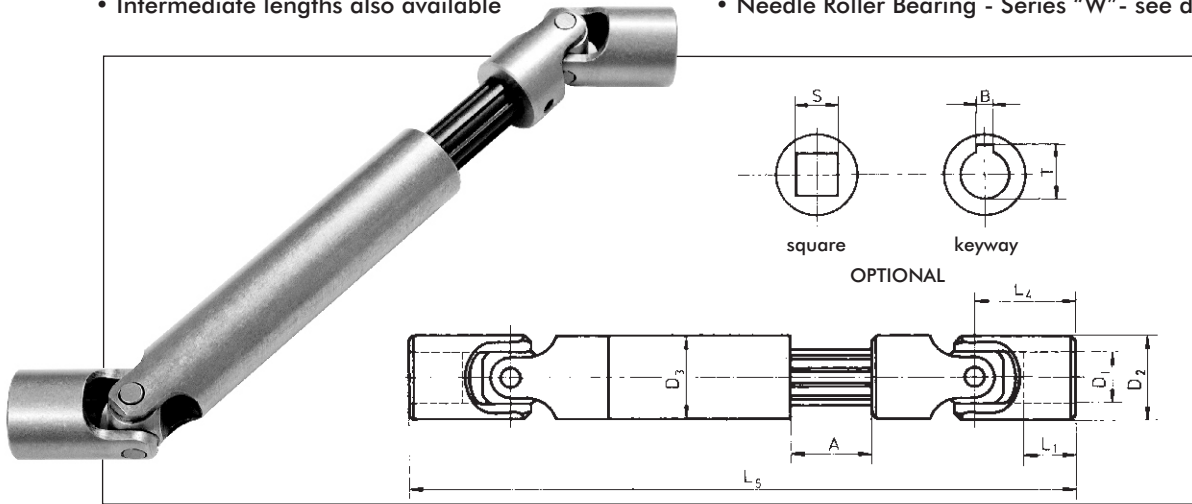


Part Number		Bore D_1	O/D D_2	Length				Keyway		Square S	Weight kg.	
Single	Double			L_1	L_2	L_3	L_4	B	T		Single	Double
201	221	6	16	9	34	56	17	2	7.0	6	0.036	.057
202	222	8	16	10	40	62	20	2	9.0	8	0.040	.060
203	223	10	20	13	48	74	24	3	11.4	10	0.075	.115
204	224	12	25	15	56	86	28	4	13.8	10	0.145	.212
205	225	16	32	16	68	104	34	5	18.3	14	0.280	.420
206	226	20	40	20	82	128	41	6	22.8	19	0.509	.800
207	227	25	50	25	105	160	52.5	8	28.3	24	1.090	1.650
208	228	32	63	30	130	200	65	10	35.5	30	2.080	3.280
209	229	40	75	43	160	245	80	12	43.3	36	3.450	5.280
2010	2210	50	90	52	190	290	95	14	53.8	-	6.150	9.400

The Technical Appendix (pages 47-51) describe how to calculate the dimensions of the joint and contain instructions for their application.

Precision Telescopic Universal Joints - DIN 808 - Series "G"

- Made of high grade steel
- Hardened and friction polished
- Assembled almost back-lash free
- Intermediate lengths also available
- Max. angle 90°
- Max. speed 1000rpm
- Round bore standard
- Keyway and square hole optional
- Up to 32mm OD generally ex stock
- Needle Roller Bearing - Series "W" - see data below



Part No.	Bore H7			Length		L min L5 -A	Tele scope A	L max L5 ±1	Splined shaft profile DIN ISO 14	Keyway Optional		Square Optional S	Weight Kg.
	D1	D2	D3	L1 -1	L4 ±0.5					B P9	T +0.2		
411	8	13	13.0	13	21	130	40	170	square	2	9.0	6	0.100
412	10	16	19.5	10	20	150	50	200	6 x 11 x 14	3	11.4	8	0.234
413	12	20	19.5	13	24	190	60	250	6 x 11 x 14	4	13.8	10	0.341
414	16	25	26.5	23	37	230	70	300	6 x 13 x 16	5	18.3	14	0.657
415	20	32	31.5	25	43	270	80	350	6 x 16 x 20	6	22.8	19	1.214
416	25	40	39.5	32	54	400	100	500	6 x 21 x 25	8	28.3	24	2.500
417	32	50	51.5	41	66	500	150	650	6 x 26 x 32	10	35.3	30	5.350
418	40	63	59.5	47	83	550	200	750	8 x 32 x 38	12	43.3	36	8.780
419	40	75	59.5	43	80	570	200	770	8 x 32 x 38	12	43.3	36	11.230
4110	50	90	79.5	52	95	700	200	900	8 x 42 x 48	14	53.8	-	21.600

These precision shaft joints are marked during assembly. When putting the shaft joint together again, make sure that the markings on both halves of the joint are opposite each other. It is suggested to use folding bellows filled with lubrication grease for use in difficult to access machinery.

All dimensions are in mm unless otherwise stated.

Please see page 47 for full range of protective bellows to suit.

The Technical Appendix (pages 42, 43 & 46) describe how to calculate the dimensions of the joint and contain instructions for their application.

All specifications are subject to change without notice.