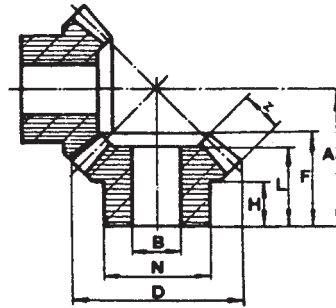
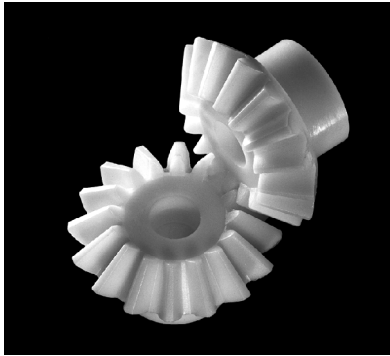


# Metric Bevel Gears

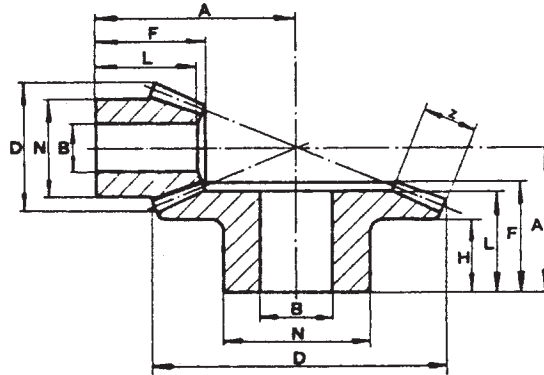
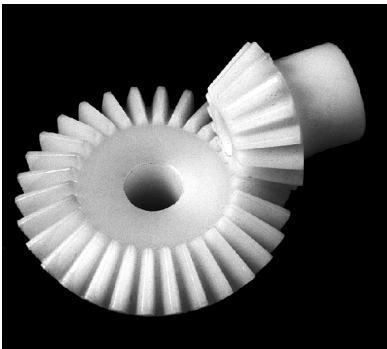
**Ratio 1:1, 1:2** Material: Plastic Hostaform C - Acetal copolymer (POM)



## Ratio 1:1

Module	No. of Teeth	Dimensions in mm								Weight g	Part No.
		B <sub>h7</sub>	N	D	H	L	F	A	Z		
0.5	16	3	7.0	8.7	6.0	8.0	8.0	10.5	2.0	0.3	KH 0516-1:1
1.0	16	5	12.0	17.6	8.0	13.6	13.6	18.4	4.7	1.9	KH 1016-1:1
1.0	30	6	15.0	31.4	7.4	12.9	15.3	24.8	7.4	5.9	KH 1030-1:1
1.5	16	8	18.5	26.4	10.0	16.2	18.4	25.8	7.0	5.9	KH 1516-1:1
2.0	16	10	21.9	34.9	9.6	18.3	21.2	30.4	10.0	10.4	KH 2016-1:1
2.5	16	12	25.2	43.5	11.5	22.9	25.5	37.0	12.3	20.0	KH 2516-1:1
3.0	16	14	28.8	52.3	13.2	25.8	29.2	43.0	13.8	32.0	KH 3016-1:1
3.5	16	18	33.3	61.4	14.4	28.1	33.1	49.5	15.8	50.0	KH 3516-1:1

1g = 0.0352736oz.



## Ratio 1:2

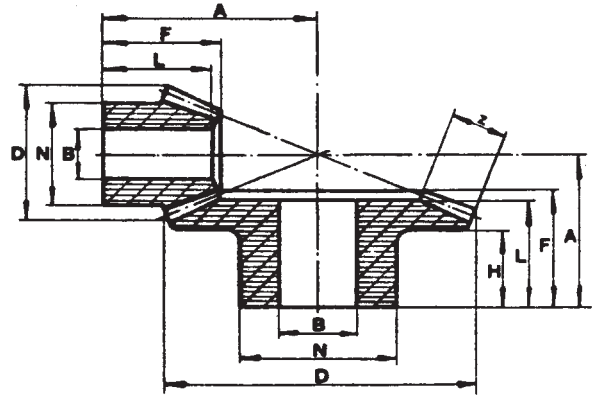
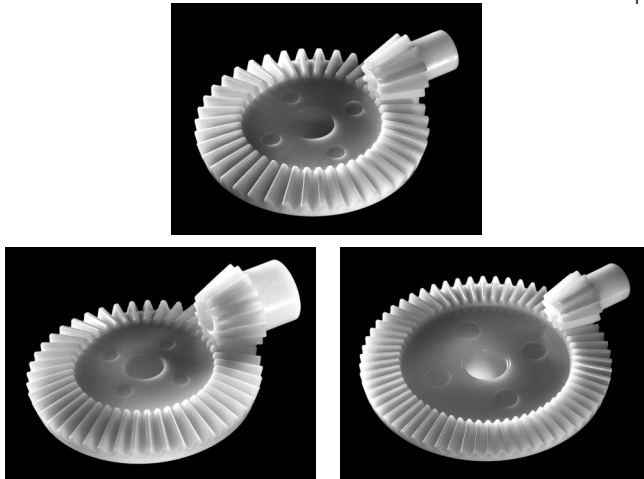
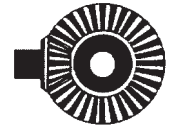
Module	No. of Teeth	Dimensions in mm								Weight g	Part No.
		B <sub>h7</sub>	N	D	H	L	F	A	Z		
1.0	15	5	12.2	16.8	10.6	17.0	17.0	26.4	6.6	2.4	KH 1015-1:2
	30	8	18.0	31.1	9.1	14.8	16.2	20.9	6.6	6.3	KH 1030-1:2
1.5	15	8	17.0	25.4	11.5	22.8	22.8	35.8	10.5	7.5	KH 1515-1:2
	30	10	23.4	46.4	9.6	17.5	19.5	26.2	10.5	17.0	KH 1530-1:2
2.0	15	10	22.5	33.6	11.8	26.0	27.0	44.2	14.6	13.3	KH 2015-1:2
	30	12	30.2	62.2	11.8	22.6	24.2	32.6	14.6	41.0	KH 2030-1:2
2.5	15	12	26.5	42	13.0	29.6	31.2	53.3	17.3	23.6	KH 2515-1:2
	30	16	36.1	77.3	15.0	27.5	29.5	40.5	17.3	69.0	KH 2530-1:2
3.0	15	14	31.2	50.3	14.8	35	36.3	63.3	20.5	38.0	KH 3015-1:2
	30	18	45.0	93	19.0	34.2	37.0	49.5	20.5	129.0	KH 3030-1:2

1g = 0.0352736oz.

All dimensions are subject to change without notice.

# Metric Bevel Gears

**Ratio 1:3, 1:4, 1:5** Material: Plastic Hostaform C  
Acetal copolymer (POM)



## Ratio 1:3

Module	No. of Teeth	Dimensions in mm								Weight g	Part No.
		B <sub>h7</sub>	N	D	H	L	F	A	Z		
1.0	15	5	12.3	16.6	11.0	20.4	20.4	34.3	9.2	2.7	KH 1015-1:3
	45	10	23.4	46.1	9.6	16.5	18.2	22.7	9.2	16.0	KH 1045-1:3
1.5	15	8	17.2	25.1	12.5	26.8	26.8	47.9	14.0	8.5	KH 1515-1:3
	45	12	30.4	68.8	11.5	21.5	23.0	29.4	14.0	49.0	KH 1545-1:3
2.0	10	6	16.6	24.0	12.0	25.0	25.0	43.7	12.5	6.1	KH 2010-1:3
	30	12	30.3	61.7	11.5	20.2	22.5	28.0	12.5	38.0	KH 2030-1:3
2.5	10	8	18.8	29.7	13.0	28.8	28.8	52.4	15.7	10.2	KH 2510-1:3
	30	18	36.1	77.2	15.5	25.2	29.0	35.7	15.7	68.0	KH 2530-1:3

1g = 0.0352736oz.

## Ratio 1:4

Module	No. of Teeth	Dimensions in mm								Weight g	Part No.
		B <sub>h7</sub>	N	D	H	L	F	A	Z		
1.0	10	4	7.8	12.0	9.3	17.7	17.7	30.1	8.2	0.9	KH 1010-1:4
	40	10	23.4	40.8	10.8	15.7	17.0	20.1	8.2	12.6	KH 1040-1:4
1.5	10	5	11.3	18.0	10.9	23.5	23.5	41.7	12.3	3.0	KH 1510-1:4
	40	12	30.4	61.2	12.8	20.0	21.7	26.2	12.3	32.0	KH 1540-1:4
2.0	10	6	14.3	23.8	12.8	28.9	28.9	54.0	16.3	6.4	KH 2010-1:4
	40	18	36.0	81.5	16.6	24.7	27.0	32.5	16.3	65.0	KH 2040-1:4

1g = 0.0352736oz.

## Ratio 1:5

Module	No. of Teeth	Dimensions in mm								Weight g	Part No.
		B <sub>h7</sub>	N	D	H	L	F	A	Z		
1.0	12	4	9.5	13.7	10	20.3	20.3	40.5	9.5	2.0	KH 1012-1:5
	60	10	20.5	60.4	11	15.5	17.4	21.0	9.5	17.0	KH 1060-1:5

1g = 0.0352736oz.

All dimensions are subject to change without notice.



***Your partner in quality engineering products since 1986***

Thank you for viewing product information on TEA's range of engineering components.

Now please contact us at the nearest office to you for any further information, prices and availability:



**AUSTRALIA & New Zealand**  
**T.E.A. Transmissions Pty Ltd**  
Tahiti Road  
Tiaro Qld 4650  
Australia

Ph: 61-(0)7 4129 2533  
Fax: 61-(0)7 4129 2437  
Email: [sales@tea.net.au](mailto:sales@tea.net.au)  
[www.tea.net.au](http://www.tea.net.au)



**USA, South America & Canada**  
**T.E.A. Machine Components Inc.**  
2281-F Dabney Road  
Richmond Virginia 23230  
USA

Ph: 1-804-342-0004  
Fax: 1-804-342-0006  
Email: [sales@teausa.net](mailto:sales@teausa.net)  
[www.teausa.net](http://www.teausa.net)

**You are assured of prompt and efficient service at all time.**