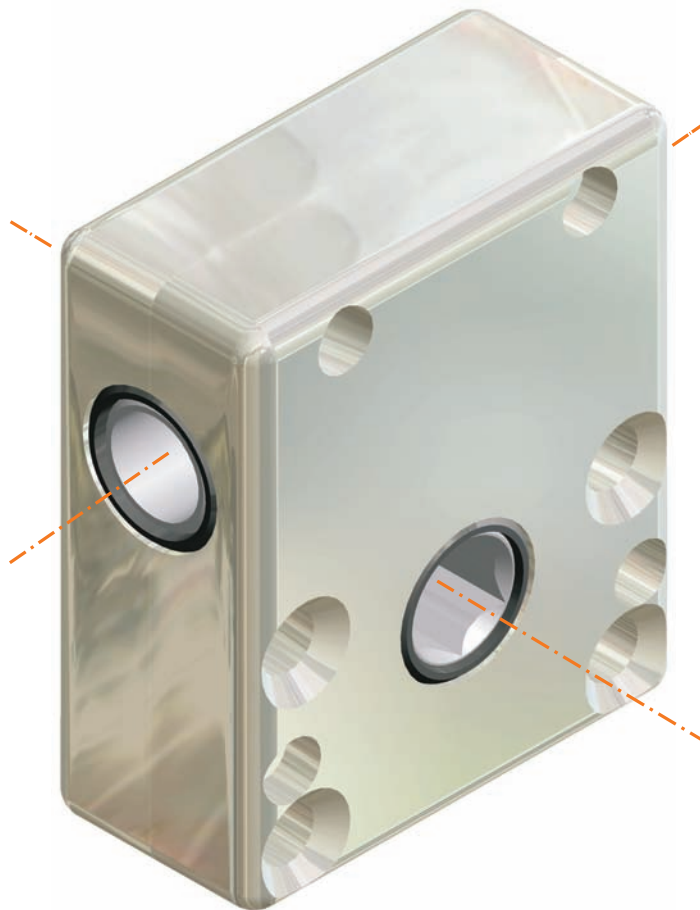


## Worm gear



bevel gears/  
worm gears

4 7 4 7  
4 7 4 9  
4 7 5 1  
4 7 5 2  
4 7 5 4  
4 7 5 5



### Description:

Compact worm gear. The input is on the breadth side of the gear. The gears is particularly suitable for manual operation.

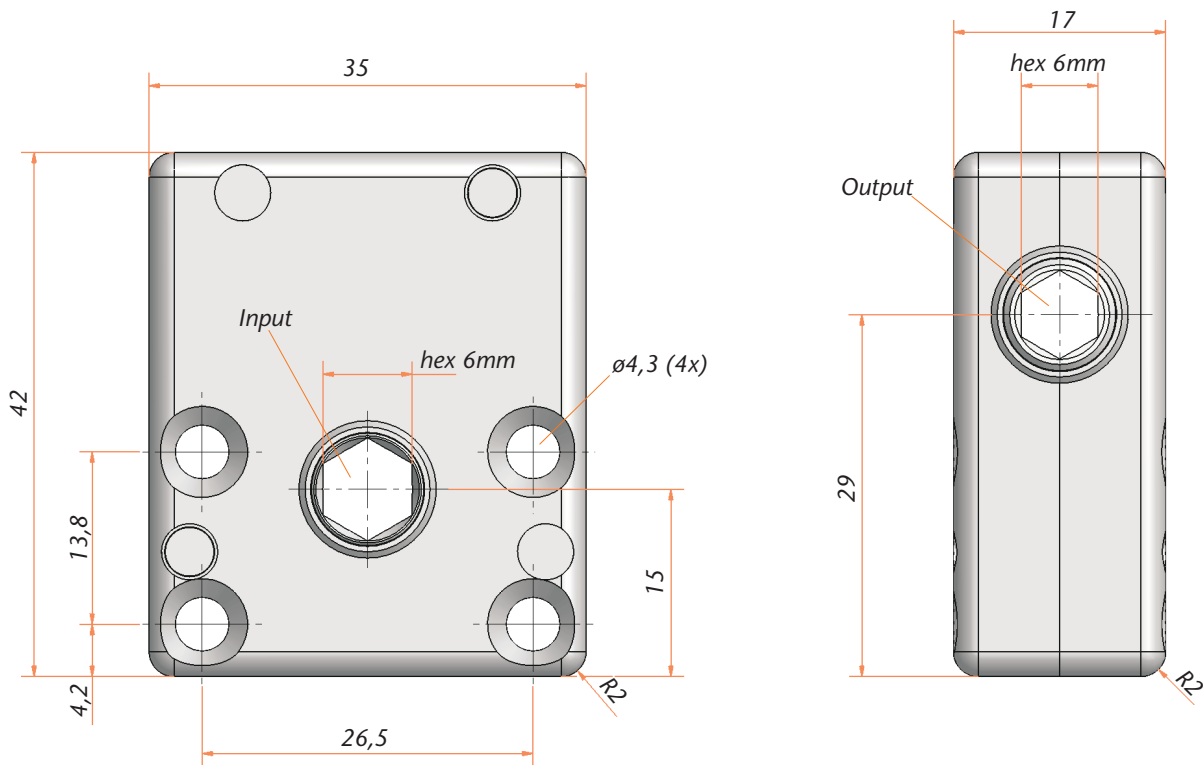
### Special features:

- Ratio 1 : 1, 2.5 : 1, 3.33 : 1, 4.33 : 1, 6 : 1, 13 : 1
- Gear with synthetic friction bearing
- Worm and cog wheel made of case hardened steel
- Housing made of die-cast zinc
- Special model with bronze bearing

### Customer specific:

On customer request the gear is also available left-handed.

# Worm gear 4747/4749/4751/4752/4754/4755



## Technical Data

Model	4747.00-00	4749.00-00	4751.00-00
Ratio	4.33 : 1	2.5 : 1	1 : 1
Self-locking	yes	no	no
Input	hex 6 mm	hex 6 mm	hex 6 mm
Output	hex 6 mm	hex 6 mm	hex 6 mm
Max. output torque	2 Nm	2 Nm	2 Nm
Max. input torque	3 Nm	3 Nm	4 Nm

Model	4752.00-00	4754.00-00	4755.00-00
Ratio	3.33 : 1	6 : 1	13 : 1
Self-locking	yes	yes	yes
Input	hex 6 mm	hex 6 mm	hex 6 mm
Output	hex 6 mm	hex 6 mm	hex 6 mm
Max. output torque	2,5 Nm	3 Nm	3 Nm
Max. input torque	3 Nm	2 Nm	1 Nm

## Worm gear



bevel gears/  
worm gears

- 4 7 4 8
- 4 7 5 0
- 4 7 5 1
- 4 7 5 3
- 4 7 5 7
- 4 7 5 8
- 4 7 6 3
- 4 7 6 7



### Description:

Compact worm gear. The input is on the small side of the gear. The gears is particularly suitable for manual operation.

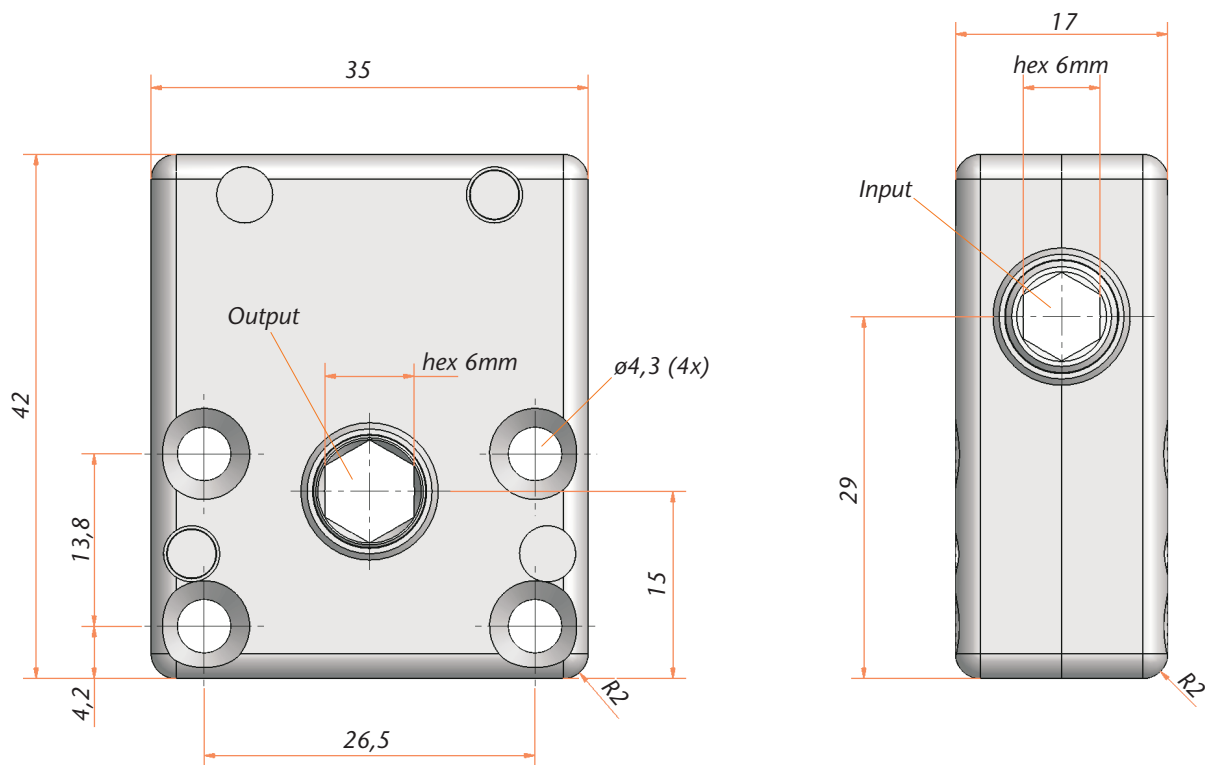
### Special features:

- Ratio 1 : 1, 2:1, 2.8 : 1, 4.33 : 1, 10 : 1, 14 : 1, 15 : 1
- Gear with synthetic friction bearing
- Worm and cog wheel made of case hardened steel
- Housing made of die-cast zinc
- Special model with bronze bearing

### Customer specific:

On customer request the gear is also available left-handed.

# Worm gear 4748/4750/4751/4753/4757/4758/4763/4767



## Technical Data

Model	4748.00-00	4750.00-00	4751.00-00	4753.00-00	4757.00-00
Ratio	4,33 : 1	10 : 1	1 : 1	2,8 : 1	14 : 1
Self-locking	yes	yes	no	no	yes
Input	hex 6 mm	hex 6 mm	hex 6 mm	hex 6 mm	hex 6 mm
Output	hex 6 mm	hex 6 mm	hex 6 mm	hex 6 mm	hex 6 mm
Max. output torque	2 Nm	4 Nm	2 Nm	2,5 Nm	5 Nm
Max. input torque	3 Nm	3 Nm	4 Nm	3 Nm	2,5 Nm

Model	4758.00-00	4763.00-00	4767.00-00
Ratio	15 : 1	23 : 1	2 : 1
Self-locking	yes	yes	no
Input	hex 6 mm	hex 6 mm	hex 6 mm
Output	hex 6 mm	hex 6 mm	hex 6 mm
Max. output torque	4 Nm	3 Nm	2 Nm
Max. input torque	1 Nm	1 Nm	3 Nm



***Your partner in quality engineering products since 1986***

Thank you for viewing product information on TEA's range of engineering components.

Now please contact us at the nearest office to you for any further information, prices and availability:



**AUSTRALIA & New Zealand**  
**T.E.A. Transmissions Pty Ltd**  
Tahiti Road  
Tiaro Qld 4650  
Australia

Ph: 61-(0)7 4129 2533  
Fax: 61-(0)7 4129 2437  
Email: [sales@tea.net.au](mailto:sales@tea.net.au)  
[www.tea.net.au](http://www.tea.net.au)



**USA, South America & Canada**  
**T.E.A. Machine Components Inc.**  
2281-F Dabney Road  
Richmond Virginia 23230  
USA

Ph: 1-804-342-0004  
Fax: 1-804-342-0006  
Email: [sales@teausa.net](mailto:sales@teausa.net)  
[www.teausa.net](http://www.teausa.net)

**You are assured of prompt and efficient service at all time.**