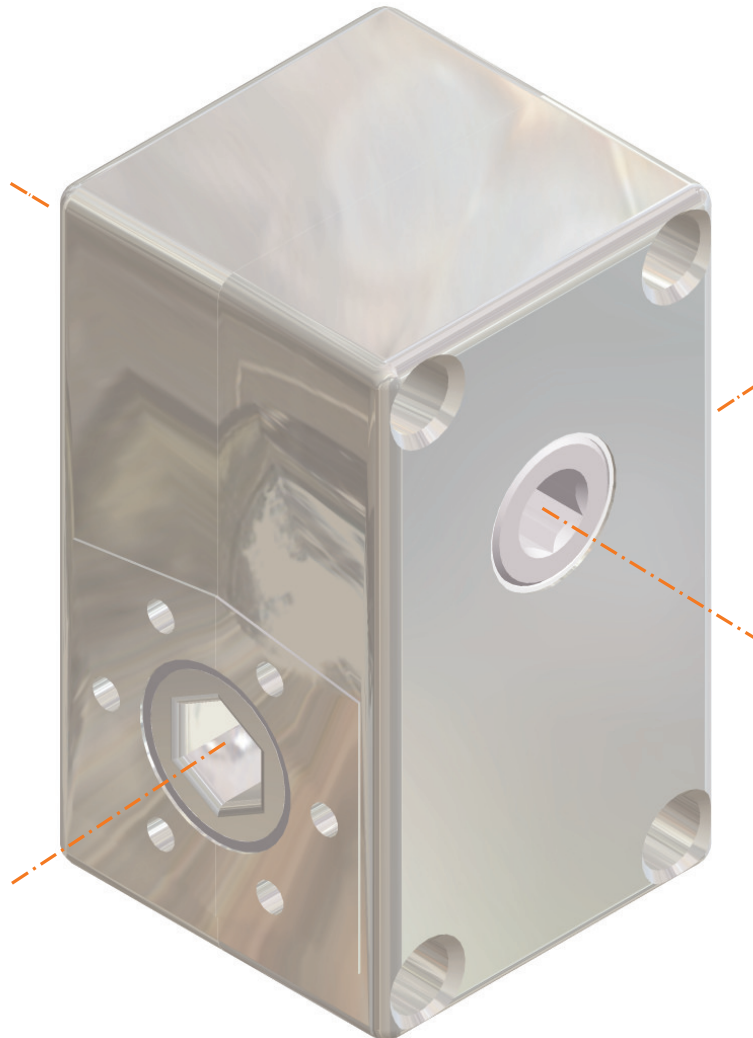


Worm gear

bevel gears/
worm gears



4 7 3 1
4 7 3 3
4 7 3 4
4 7 3 7
4 7 3 9
4 7 4 2



Description:

Compact worm gear

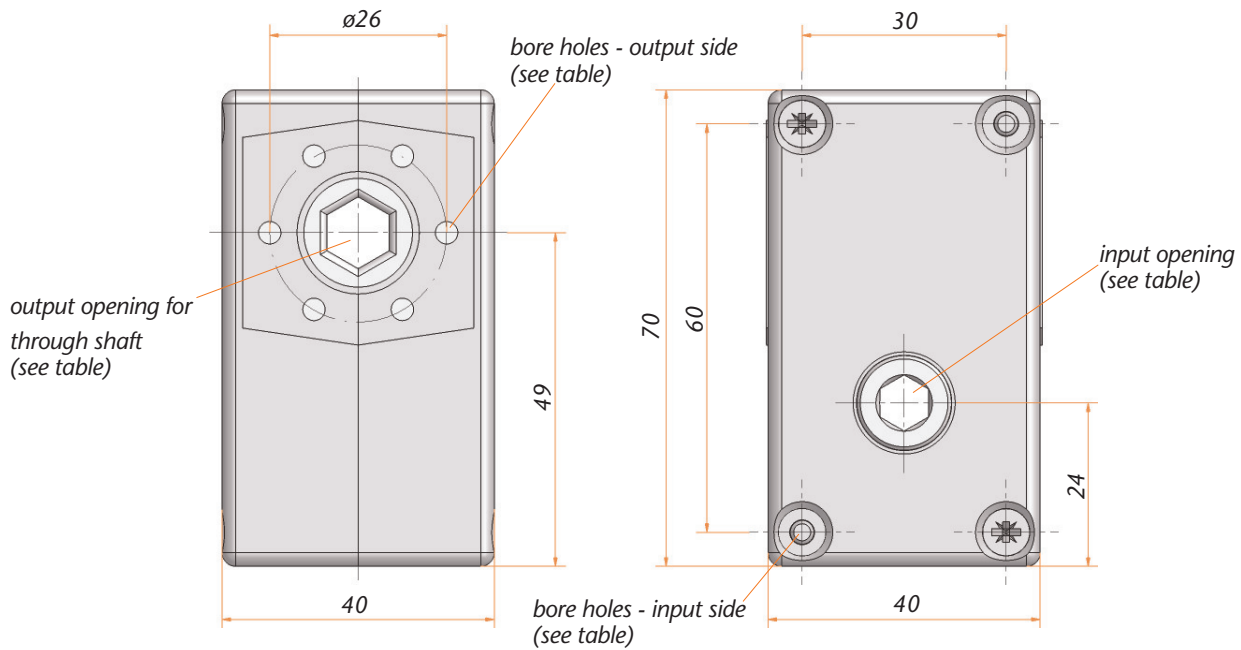
Special features:

- Ratio 1 : 1; 2 : 1; 3,25 : 1; 4,33 : 1;
7 : 1; 8,5 : 1; 17 : 1; 20 : 1; 30 : 1
- Housing made of die-cast zinc
- Gear with synthetic friction bearing

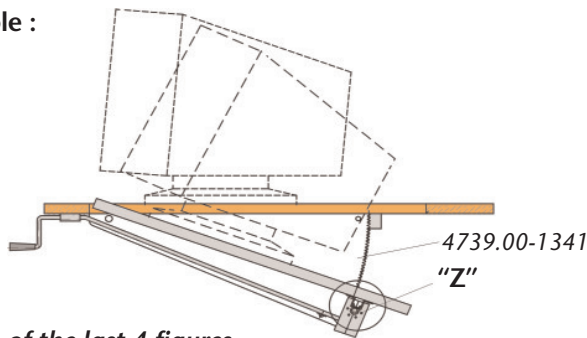
Customer specific:

Input and output can be modified to customer requirements.

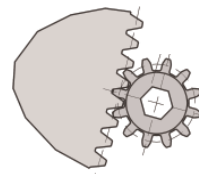
Worm gear 4731/4733/4734/4735/4737/4739/4742



Example :



Detail "Z"



Designation of the last 4 figures of the order number

bore holes - output side (see drawing)		bore holes - input side (see drawing)			output opening for through shaft (see drawing)					input opening for through shaft (see drawing)		
3,3 mm	M4	7 mm	M4	M8	square 10 mm	square 8 mm	Tr14x4 right	hex 9 mm	hex 10 mm	hex 6 mm	hex 7 mm	square 8 mm
1XXX	2XXX	X1XX	X2XX	X3XX	XX1X	XX2X	XX3X	XX4X	XX5X	XXX1	XXX2	XXX3

Technical Data

Model	4731.00-XXXX	4743.00-XXXX	4733.00-XXXX	4734.00-XXXX
Ratio	1 : 1	2 : 1	3.25 : 1	4.33 : 1
Self - locking	no	no	yes	yes
Max. output torque in Nm	2	3	4	5

Model	4737.00-XXXX	4739.00-XXXX	4744.00-XXXX	4742.00-XXXX	4745.00-XXXX
Ratio	7 : 1	8.5 : 1	17 : 1	20 : 1	30 : 1
Self - locking	yes	yes	yes	yes	yes
Max. output torque in Nm	7	9	12	15	17



Your partner in quality engineering products since 1986

Thank you for viewing product information on TEA's range of engineering components.

Now please contact us at the nearest office to you for any further information, prices and availability:



AUSTRALIA & New Zealand
T.E.A. Transmissions Pty Ltd
Tahiti Road
Tiaro Qld 4650
Australia

Ph: 61-(0)7 4129 2533
Fax: 61-(0)7 4129 2437
Email: sales@tea.net.au
www.tea.net.au



USA, South America & Canada
T.E.A. Machine Components Inc.
2281-F Dabney Road
Richmond Virginia 23230
USA

Ph: 1-804-342-0004
Fax: 1-804-342-0006
Email: sales@teausa.net
www.teausa.net

You are assured of prompt and efficient service at all time.