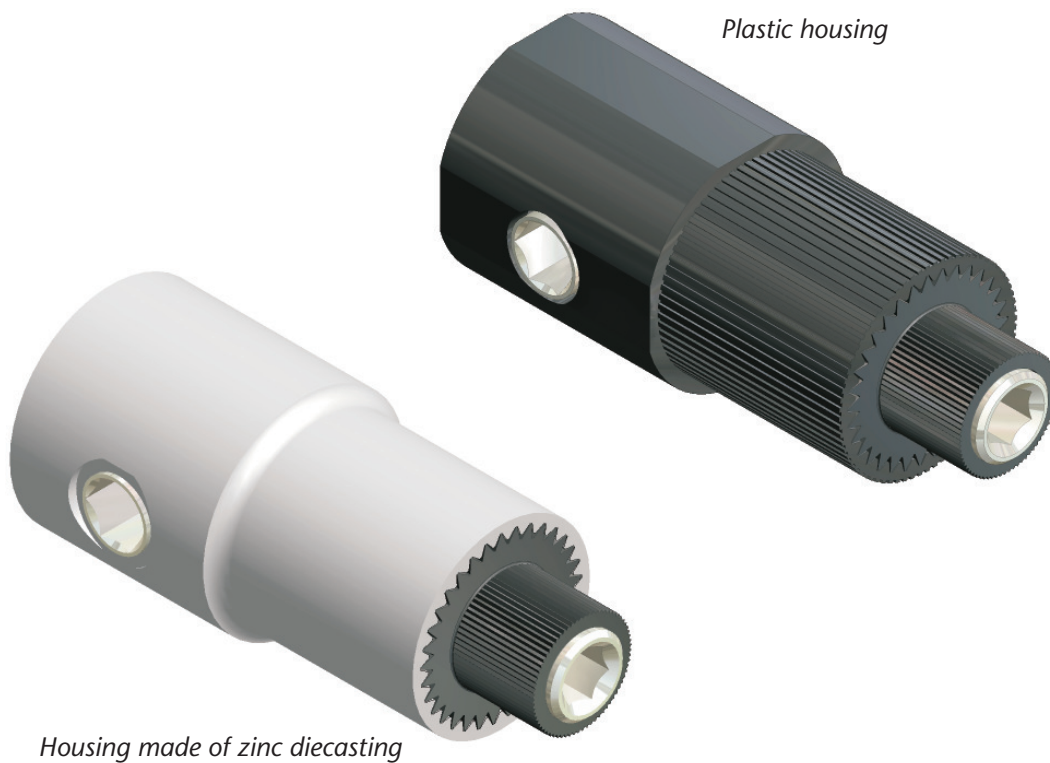


Bevel gear



sun protection

4 3 1 8
4 3 2 4



Description:

Gear for blinds, a left or right mounting is possible. The two gear types are braking on both sides on the output side.

Special features:

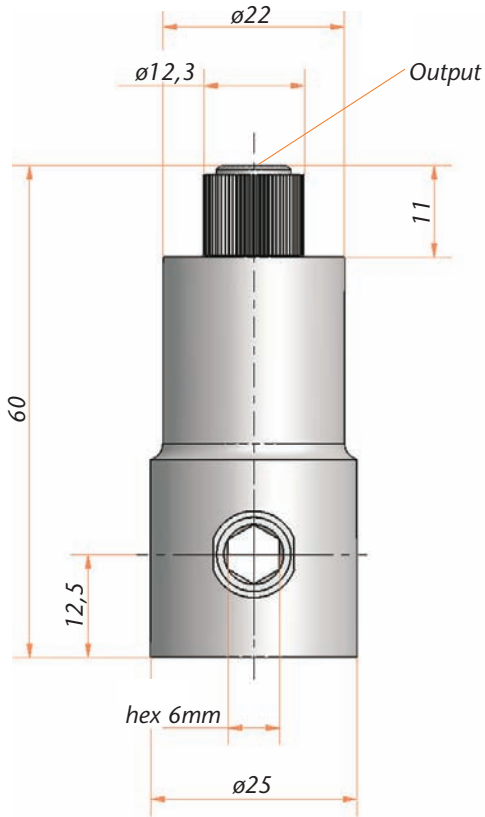
- Ratio 1:1
- Housing made of GFK or die-cast zinc
- Milled steel gear cogs

Customer specific:

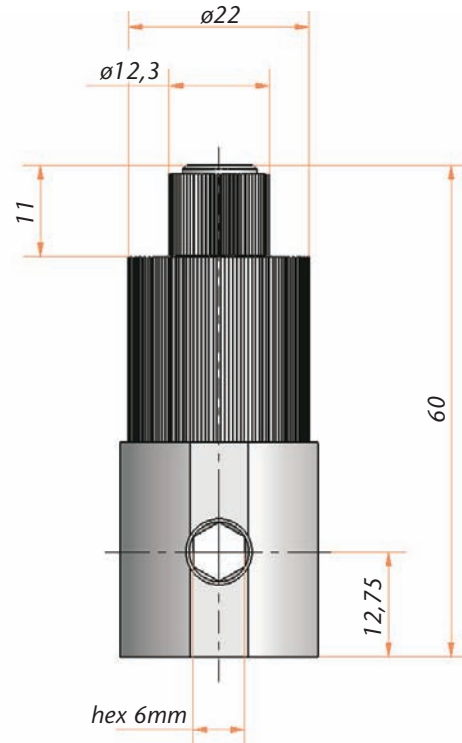
Input and output are modifiable for a customer specific application.

Bevel gear 4318/4324

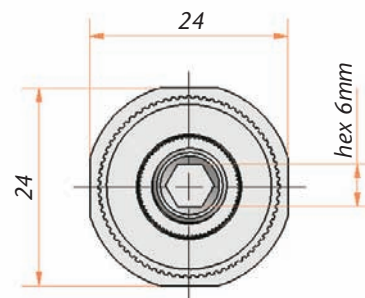
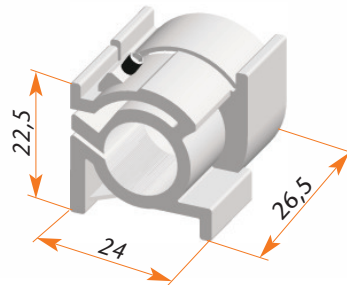
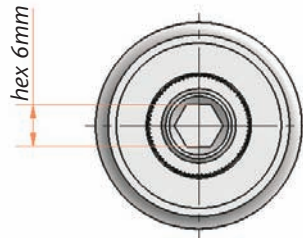
Housing made of zinc diecasting



Housing made of plastic



Geiger Gear-holder
Order-No.: 4326.19-01



Technical Data

Baureihe	4318	4324
Ratio	1 : 1	1 : 1
Input	hex 6 mm	hex 6 mm
Output	hex 6 mm	hex 6 mm
Number of gear cogs	2	2
Housing material	Plastic	Zinc diecasting
Max. input torque	1,5 Nm	1,5 Nm
Max. output holding torque	3 Nm	3 Nm



Your partner in quality engineering products since 1986

Thank you for viewing product information on TEA's range of engineering components.

Now please contact us at the nearest office to you for any further information, prices and availability:



AUSTRALIA & New Zealand
T.E.A. Transmissions Pty Ltd
Tahiti Road
Tiaro Qld 4650
Australia

Ph: 61-(0)7 4129 2533
Fax: 61-(0)7 4129 2437
Email: sales@tea.net.au
www.tea.net.au



USA, South America & Canada
T.E.A. Machine Components Inc.
2281-F Dabney Road
Richmond Virginia 23230
USA

Ph: 1-804-342-0004
Fax: 1-804-342-0006
Email: sales@teausa.net
www.teausa.net

You are assured of prompt and efficient service at all time.