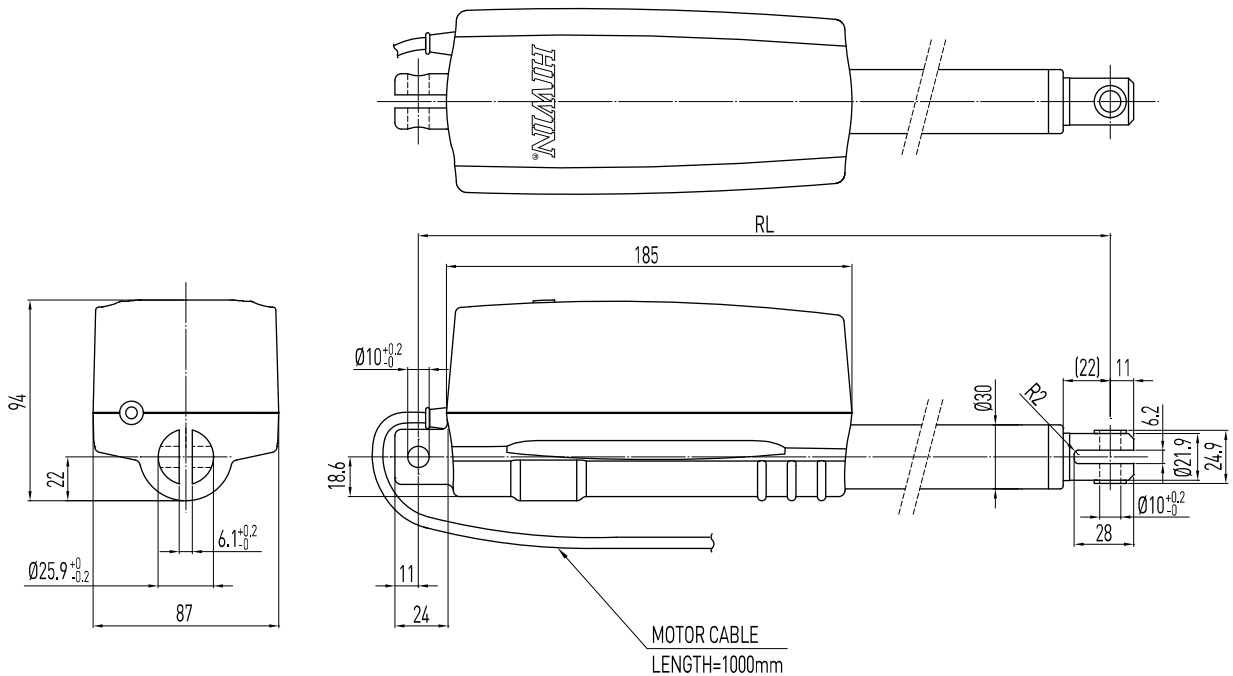


Linear Actuator

LAN Series

18. HIWIN LAN Series (4)

LAN4



- RL = S+160
Stroke ≤ 200
- RL = S+210
Stroke > 400
- RL: Retracted length
- S: Stroke length

Table 18.1 Specifications

Screw type	ACME
Weight*	2.33kg
Protection	IP54
Compatible controller	LAK2 / LAK2LR / LAK2D / LAK2BN / LAK2J / LAK6B
Working temp.	+5°C~40°C

* Stroke length 200mm

Option:

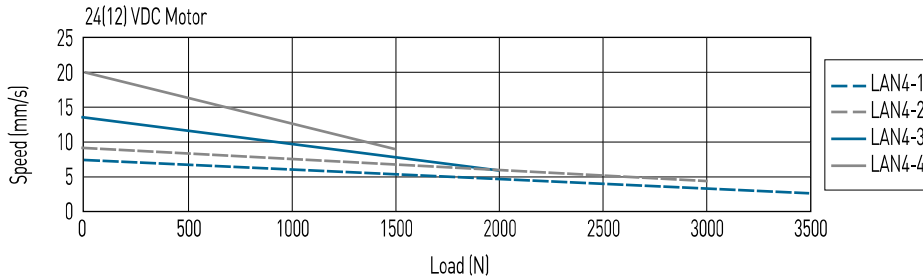
- (1) IP66
- (2) Safety Nut RL = S+174, S ≤ 400 / RL = S+224, S > 400
- (3) Mono jack-plug (Standard is stereo)
- (4) Mechanical spline (push only) RL = S+200, S ≤ 400 / RL = S+250, S > 400
- (5) Plug: DIN 4PIN plug / Stereo plug / Mono plug

Table 18.2 LAN4 Specifications

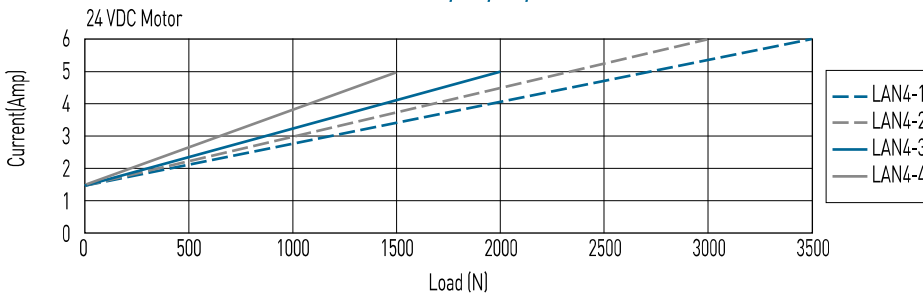
Model	Thrust max. (N)	Pulling max. (N)	Holding max. (N)	Speed (mm/s) Load = Max. / Load = 0	Standard stroke (mm) : S								Duty cycle %	Current max. (A)	
					100	150	200	250	300	350	400	24VDC		12VDC	
LAN4-1	3500	3500	3500	3.5/7	100	150	200	250	300	350	400	10	6	12	
LAN4-2	3000	3000	3000	4.2/9	100	150	200	250	300	350	400	10	6	12	
LAN4-3	2000	2000	2000	6/13	100	150	200	250	300	350	400	10	5	12	
LAN4-4	1500	1500	1500	8.5/20	100	150	200	250	300	350	400	10	5	12	

* Min. input power = Voltage x Current max.

LAN4-1/-2/-3/-4

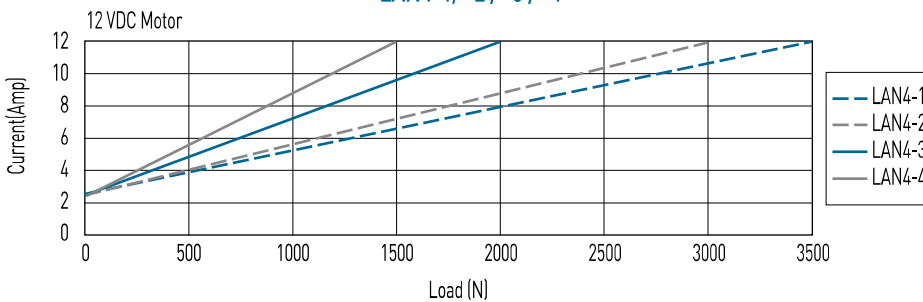


LAN4-1/-2/-3/-4



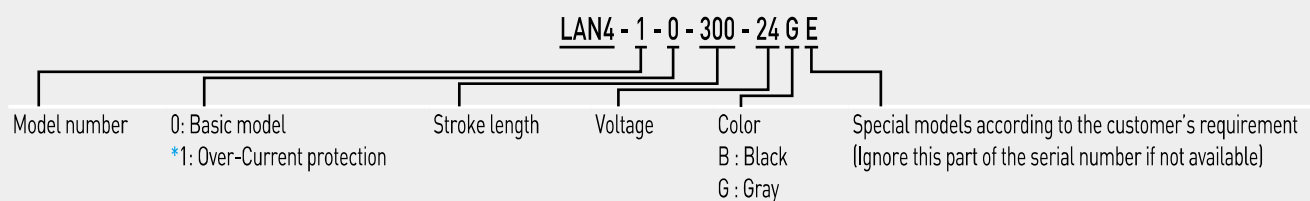
**Note: The test results are obtained by using the 24VDC power supply.

LAN4-1/-2/-3/-4



**Note: The test results are obtained by using the 12VDC power supply.

Ordering Information



* Remark: The over-current protection is for over load protection, do not use for limit stop.
 Suggestion: To add external limit switch as limit positions stop.