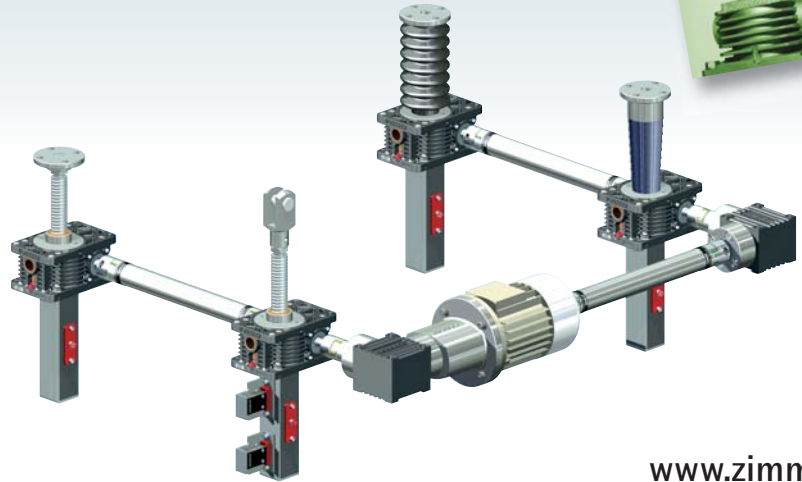


ZIMM – Screw Jack Modular System

Sizes: 2.5 kN – 1000 kN

...the individual complete system solutions

- Screw jack with trapezoid thread and ball screw
- Bevel gearboxes
- Rotary voltage motor and motor flange
- Limit switch and rotary pulse encoder
- Connecting shaft and coupling
- Mounting parts (forked head, rod end, pivot bearing head, fixing flange, opposed bearing plate, etc.)
- Protective cover (bellow, spiral spring)
- Hinged bearing plate and pivot bracket



www.zimm.at

ZIMM – Electro-mechanical Actuator

Solar Actuators ZSA

...follow the sun exactly - with tracking drives

- Robust design for high tension and compression load (available in 3 standard sizes)
- Fast and simple fixation
- Wind and weather proof
- Low maintenance requirement for 20 years and more
- Adjustment precision up to 0.1 mm
- High reliability
- Flexible by different types of drives (24 V DC, 230 V AC, 230/400 V AC, etc.)
- Integrated rotary pulse encoder and limit switch
- Control e.g. CAN Bus



www.zimmsolar.at

ZIMM – Transmission Parts

...wide range of goods

- Spur gears, internal ring gears, bevel gears
- Worms and worm wheels
- Spline shafts and hubs
- Gear racks
- Toothed belt and toothed belt wheels
- Clamping bushes, clamping rings and clamping sets
- Trapezoidal-thread spindles and nuts
- Ball screws
- Couplings, connecting shafts
- Linear guides (profiles and rollers)
- Precision guide shafts and linear ball bearings
- Chains and chain wheels



www.zimm.at