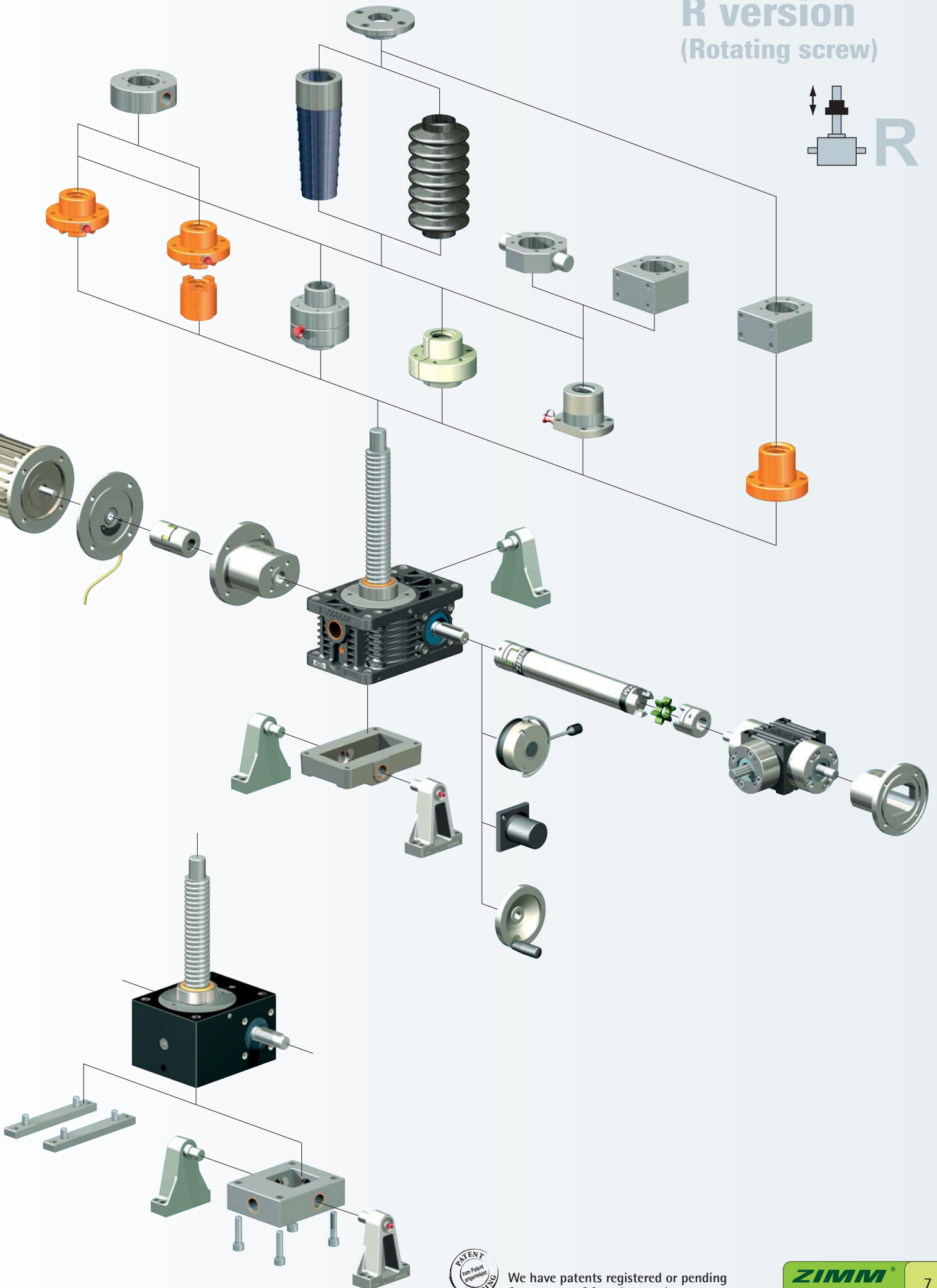
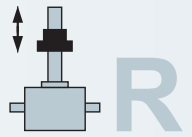
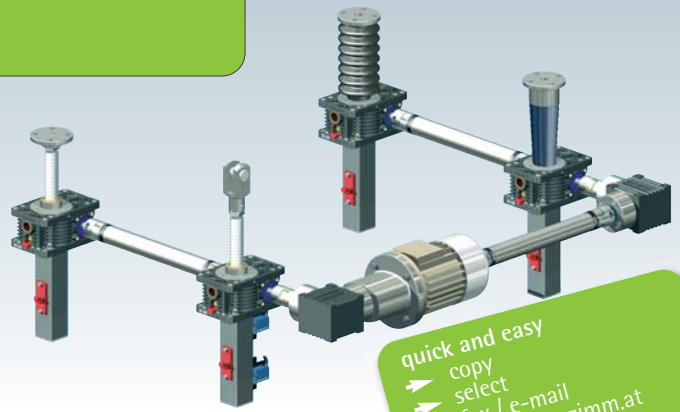


R version (Rotating screw)



We have patents registered or pending for a range of functions and components.



Checklists - Sheet 1 - Parameters

Company: _____ Date: _____
 Address: _____ Phone: _____
 Contact: _____ Fax: _____
 Dept.: _____ E-mail _____

1. max. lifting force in kN

- per gearbox _____ kN for the entire system _____ kN vertical horizontal pivoting
 - in tension _____ kN in compression _____ kN **Type of load**
 - Load: static _____ kN dynamic _____ kN smooth impact loads vibration

2. max. lift/travel _____ mm effective working stroke _____ mm

For short stroke applications

(eff. working stroke < gearbox height): regular lubrication stroke practical not practical

3. Lifting speed

type N = 25 mm/s (1.5 m/min) type L = 6.25 mm/s (0.375 m/min) _____ mm/s

4. Duty factor, work cycle, description of cycle

_____ strokes per hour _____ strokes per day Hours per day 8 16 24

i For high duty factors or long strokes, please provide an exact detailed description on page 141, 4a

5. Type S "Translating screw" R "Rotating screw" | Z screw jack GSZ screw jack

6. Motor Three-phase AC motor With brake Manual release _____

7. Operating conditions: Dry Humid Dust Chipping _____ Guided movement No guides (no dyn. lateral forces)

Ambient temperature: min. _____ °C max. _____ °C

i If possible please provide an exact description or sketch on page 141, 7a

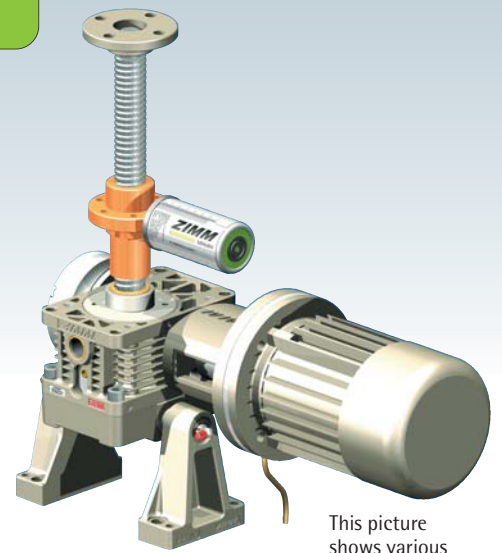
8. Standard layouts no.: _____ Size: MA1 _____ MA2 _____ MA3 _____ MA4 _____ MA5 _____

see standard layouts, checklist sheets 5 and 6 (for multi-jack systems)

9. Quantity Required: _____ Series: _____

10. Schedule Quotation: _____ Delivery: _____

Checklists - Sheet 4 - List of components R



This picture shows various options!

Type:

- RN (Rotating screw, normal)
- RL (Rotating screw, low speed)

Variant:

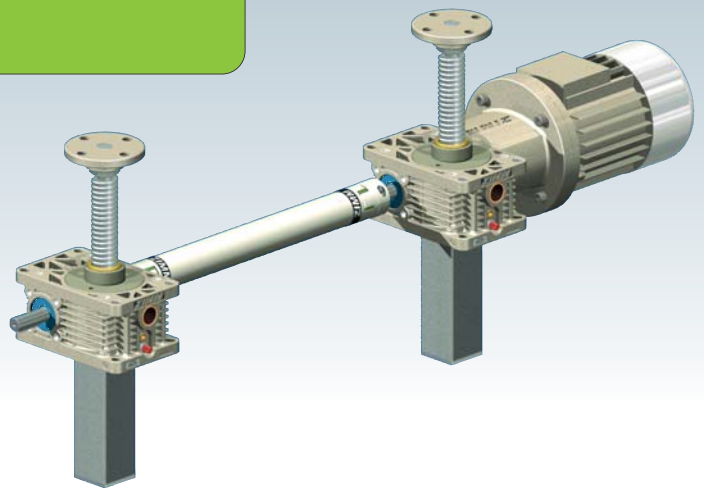
- Tr screw
- SIFA safety nut
- with SIFA monitoring

- KGT ball screw

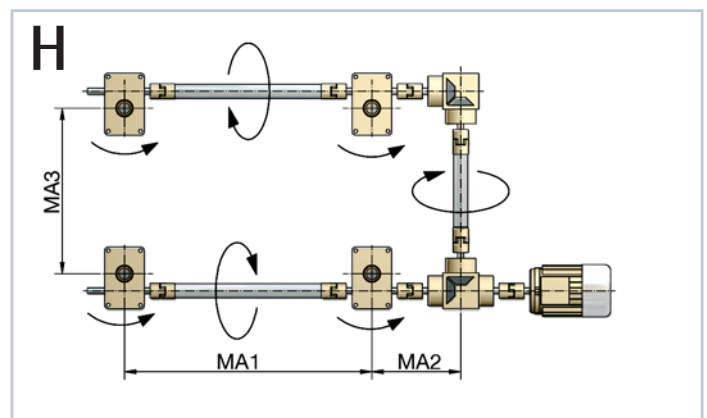
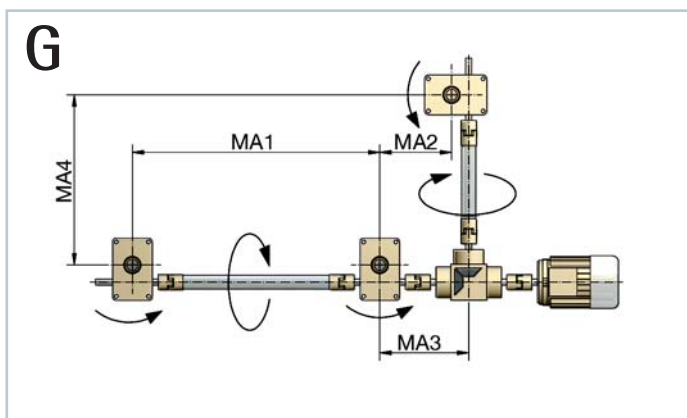
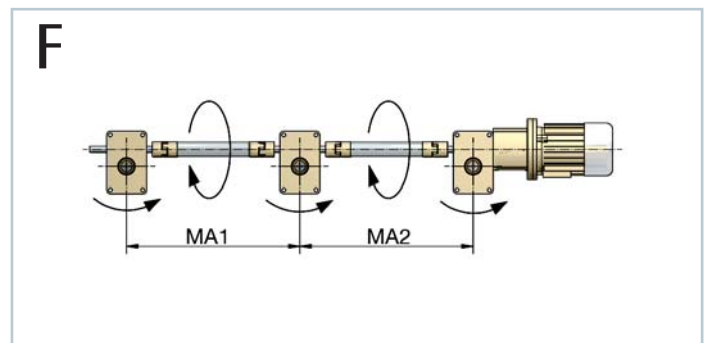
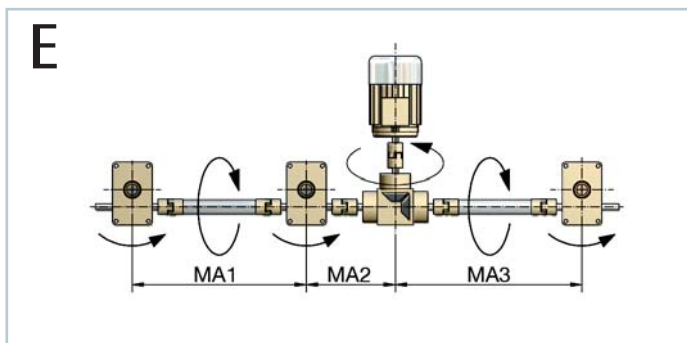
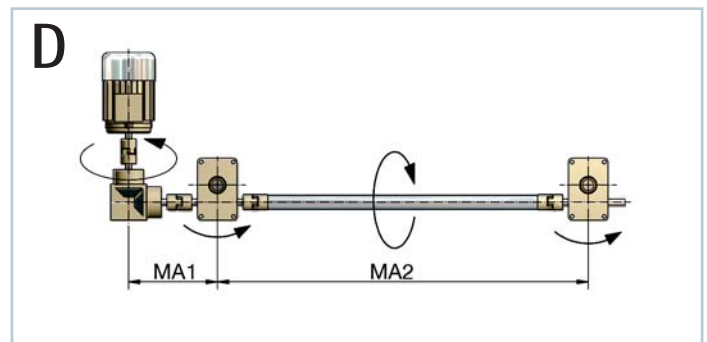
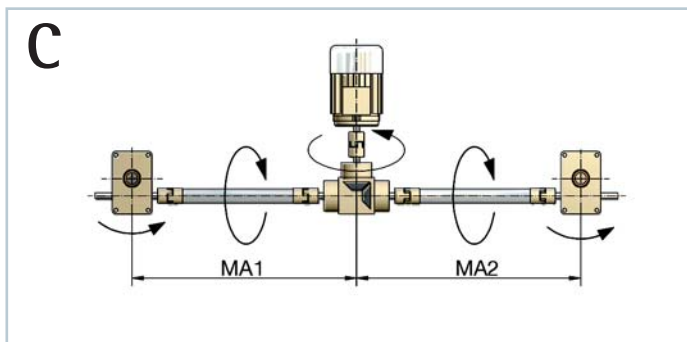
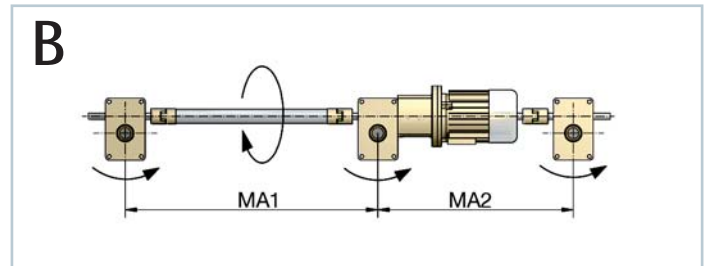
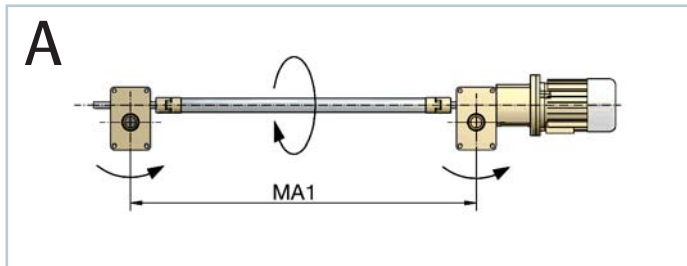
Stroke

±0.00

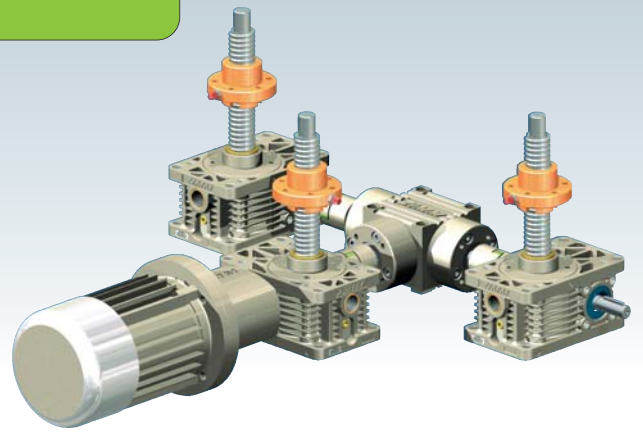
- Tension load (kN) static
- Tension load (kN) dynamic
- Compression load (kN) static
- Compression load (kN) dynamic
- Opposed bearing plate GLP
- Bellows FB
- Spiral spring cover SF
- Lubricator Z-LUB
- Cardan adapter DMA
- Duplex nut DM
- Tr flange nut FM
- KGT flange nut KGT-F
- Self-aligning nut PM
- Greaseless nut FFDM
- Driving flange TRMFL
- Safety nut SIFA
- Wear monitoring SIFA Control
- Handwheel HR
- Motor with brake
- Motor without brake
- Rotary pulse encoder DIG
- Motor flange MF
- Coupling KUZ
- Pivot mounts LB
- Pivot bearing plate KAR
- Spring pressure brake FDB
- Protective cap SK



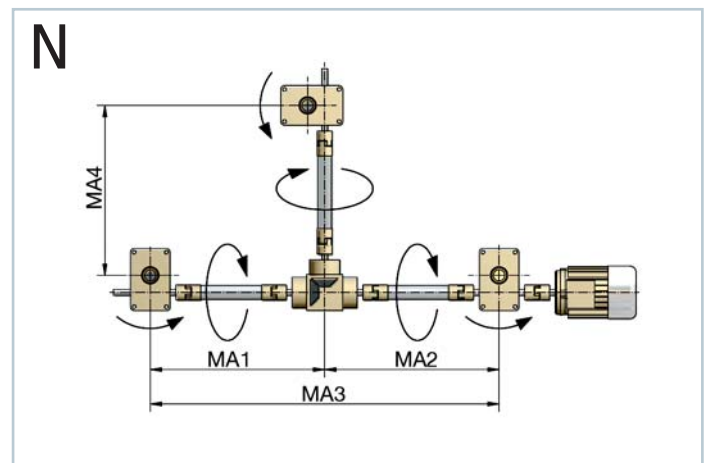
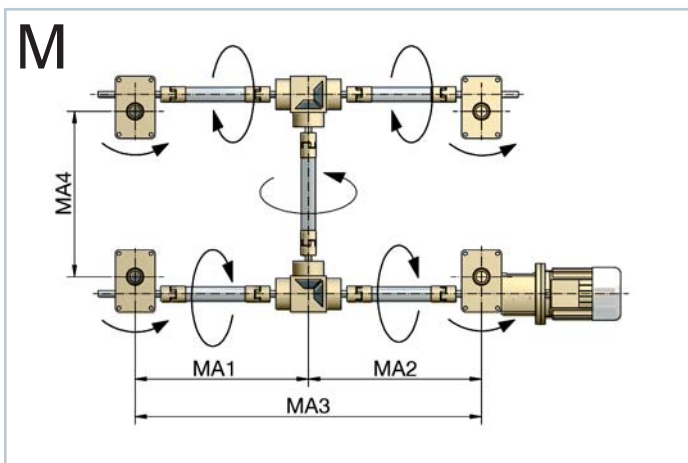
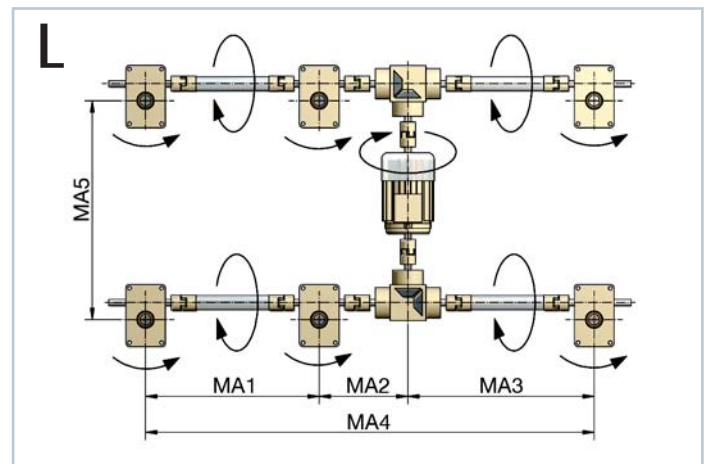
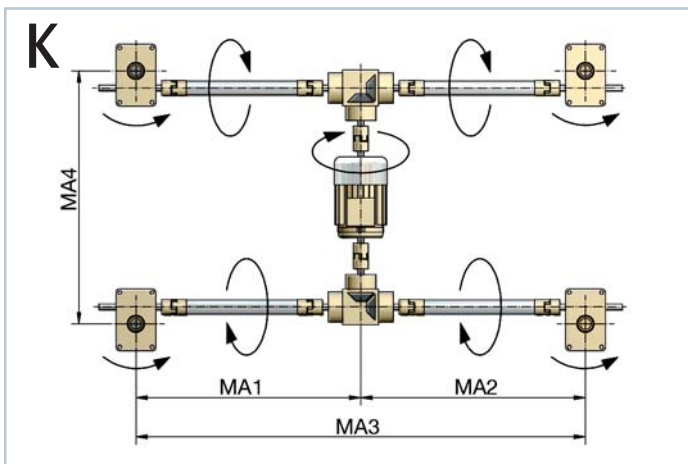
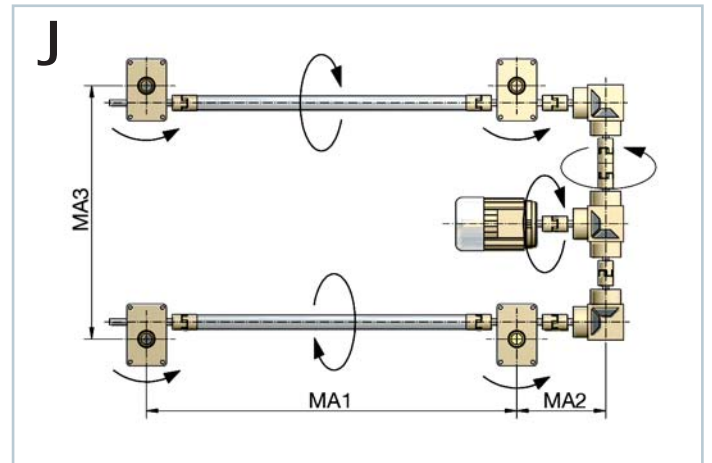
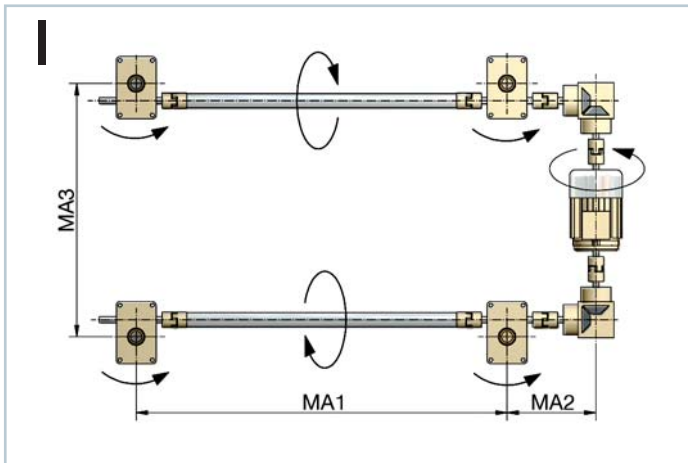
Checklist - Sheet 5 - System layouts



The most common layouts are shown. If your design is different, be sure to check the direction of rotation!



Checklist - Sheet 6 - System layouts



The most common layouts are shown. If your design is different, be sure to check the direction of rotation!



Your partner in quality engineering products since 1986

Thank you for viewing product information on TEA's range of engineering components.

Now please contact us at the nearest office to you for any further information, prices and availability:



AUSTRALIA, New Zealand & Asia
T.E.A. Transmissions Pty Ltd
Tahiti Road
Tiaro Qld 4650
Australia

Ph: 61-(0)7 4129 2533
Fax: 61-(0)7 4129 2437
Email: sales@tea.net.au
www.tea.net.au



USA & Canada
T.E.A. Machine Components Inc.
2281-F Dabney Road
Richmond Virginia 23230
USA

Ph: 1-804-342-0004
Fax: 1-804-342-0006
Email: sales@teausa.net
www.teausa.net

You are assured of prompt and efficient service at all time.