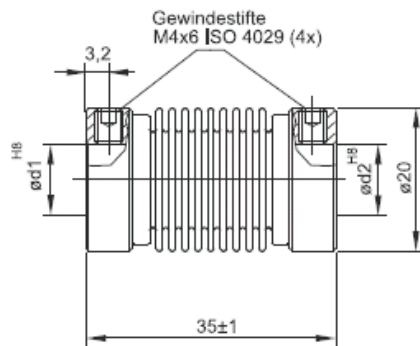
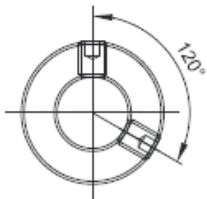
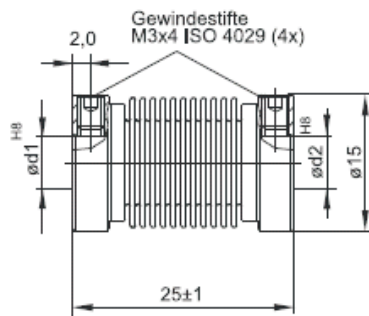
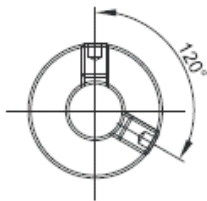
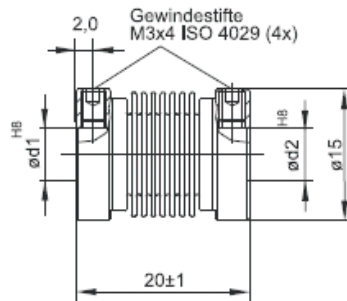
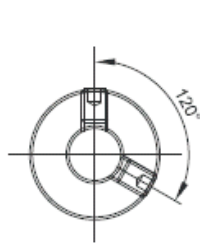


Couplers

Bellows Couplings Stainless Steel with Aluminium Flange



Technical Data		BKXS 1520	BKXS 1522	BKXS 1525	BKXS 2029	BKXS 2035
Max. speed	min ⁻¹	10000	10000	10000	10000	10000
Max. torque	Ncm	40	40	40	120	100
Max. radial offset	mm	±0.2	±0.25	±0.3	±0.25	±0.3
Max. axial offset	mm	±0.4	±0.45	±0.5	±0.4	±0.5
Max. angular offset	degree	±3	±4	±4	±4	±4
Torsion spring stiffness	Nm/rad	90	85	70	150	140
Radial spring stiffness	n/mm	40	20	15	25	10
Moment of inertia	gcm ²	2	2.1	2.3	8	9
Max. clamping torque	Ncm	70	70	70	150	150
Weight approx.	g	6	6.5	7	15	16
Flange material		Anodised Alu.	Anodised Alu.	Anodised Alu.	Anodised Alu.	Anodised Alu.
Bellows material		Stainless steel	Stainless Steel	Stainless steel	Stainless steel	Stainless steel



d ₁ mm	d ₂ mm	Part Number
3	3	BKXS 1520 03/03
3	5	BKXS 1520 03/05
3	6	BKXS 1520 03/06
4	4	BKXS 1520 04/04
4	5	BKXS 1520 04/05
4	6	BKXS 1520 04/06
5	5	BKXS 1520 05/05
6	6	BKXS 1520 06/06
8	8	BKXS 1520 08/08

d ₁ mm	d ₂ mm	Part Number
3	3	BKXS 1525 03/03
3	5	BKXS 1525 03/05
3	6	BKXS 1525 03/06
4	4	BKXS 1525 04/04
4	5	BKXS 1525 04/05
4	6	BKXS 1525 04/06
5	5	BKXS 1525 05/05
6	6	BKXS 1525 06/06

d ₁ mm	d ₂ mm	Part Number
4	4	BKXS 2035 04/04
4	6	BKXS 2035 04/06
6	6	BKXS 2035 06/06
6	10	BKXS 2035 06/10
63	63	BKXS 2035 1/4"/1/4"
8	8	BKXS 2035 08/08
95	95	BKXS 2035 3/8"/3/8"
10	10	BKXS 2035 10/10
10	12	BKXS 2035 10/12
12	12	BKXS 2035 12/12

Please contact T.E.A. for dimensional drawings for BKXS 1522 and BKXS 2029.
Additional bore sizes available on request.
All specifications are subject to change without notice.

Ø63 ± Ø6.325mm ± Ø 1/4"
Ø95 ± Ø9.52mm ± Ø 3/8"



Your partner in quality engineering products since 1986

Thank you for viewing product information on TEA's range of engineering components.

Now please contact us at the nearest office to you for any further information, prices and availability:



AUSTRALIA, New Zealand & Asia
T.E.A. Transmissions Pty Ltd
Tahiti Road
Tiaro Qld 4650
Australia

Ph: 61-(0)7 4129 2533
Fax: 61-(0)7 4129 2437
Email: sales@tea.net.au
www.tea.net.au



USA & Canada
T.E.A. Machine Components Inc.
2281-F Dabney Road
Richmond Virginia 23230
USA

Ph: 1-804-342-0004
Fax: 1-804-342-0006
Email: sales@teausa.net
www.teausa.net

You are assured of prompt and efficient service at all time.